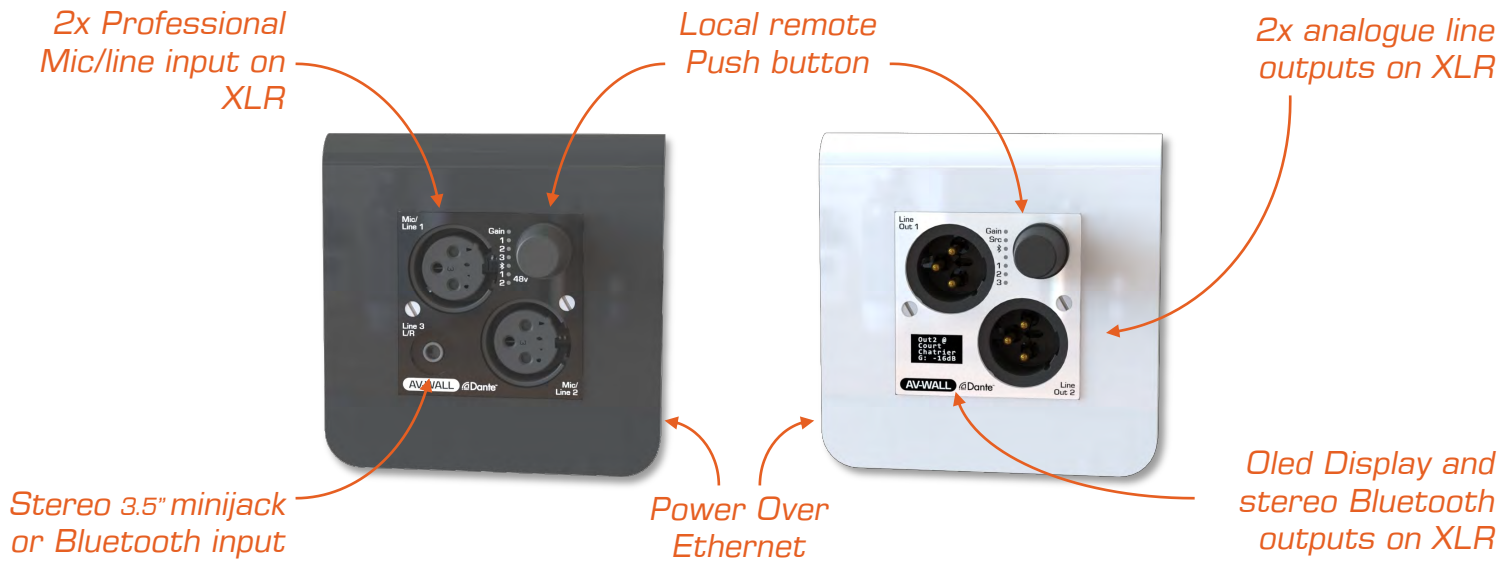


# Ultra Compact wall mounting Dante Interfaces



## AV-WALL

Ultra Compact Dante Interfaces  
For wall mounting

by

## AuviTran



# AV-WALL-DT4I

Wall mounted Dante Mic/Line or Bluetooth audio input interface

AV-WALL-DT4i



AV-WALL-DT4i-LE



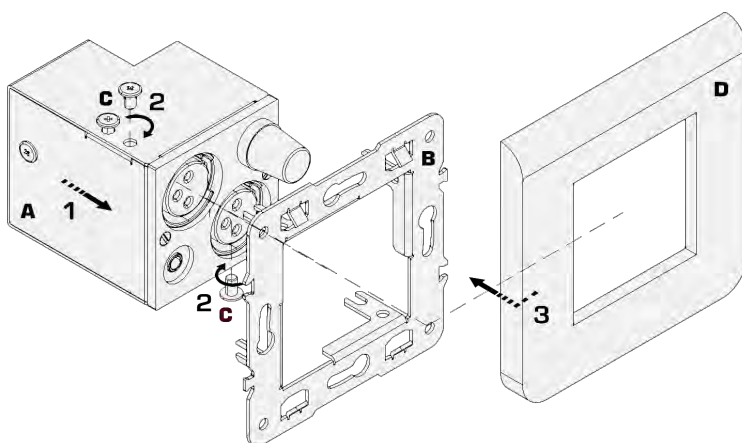
The AV-WALL-DT4i is a compact and cost-effective Dante Mic/Line audio network interface wall plate. It has an internal mixer feature which allows up to 4 lines of audio line mixing. The AV-WALL-DT4i allows for Mic pre-amplification adjustments to be performed either remotely or locally and can be adjusted per 1dB step. The AV-WALL-DT4i is PoE, therefore you only need one Cat5e/6 cable to connect the power, control and transmission.

The AV-WALL-DT4i-LE has the same technical features as the DT4i without the rotation push button for local access and control.

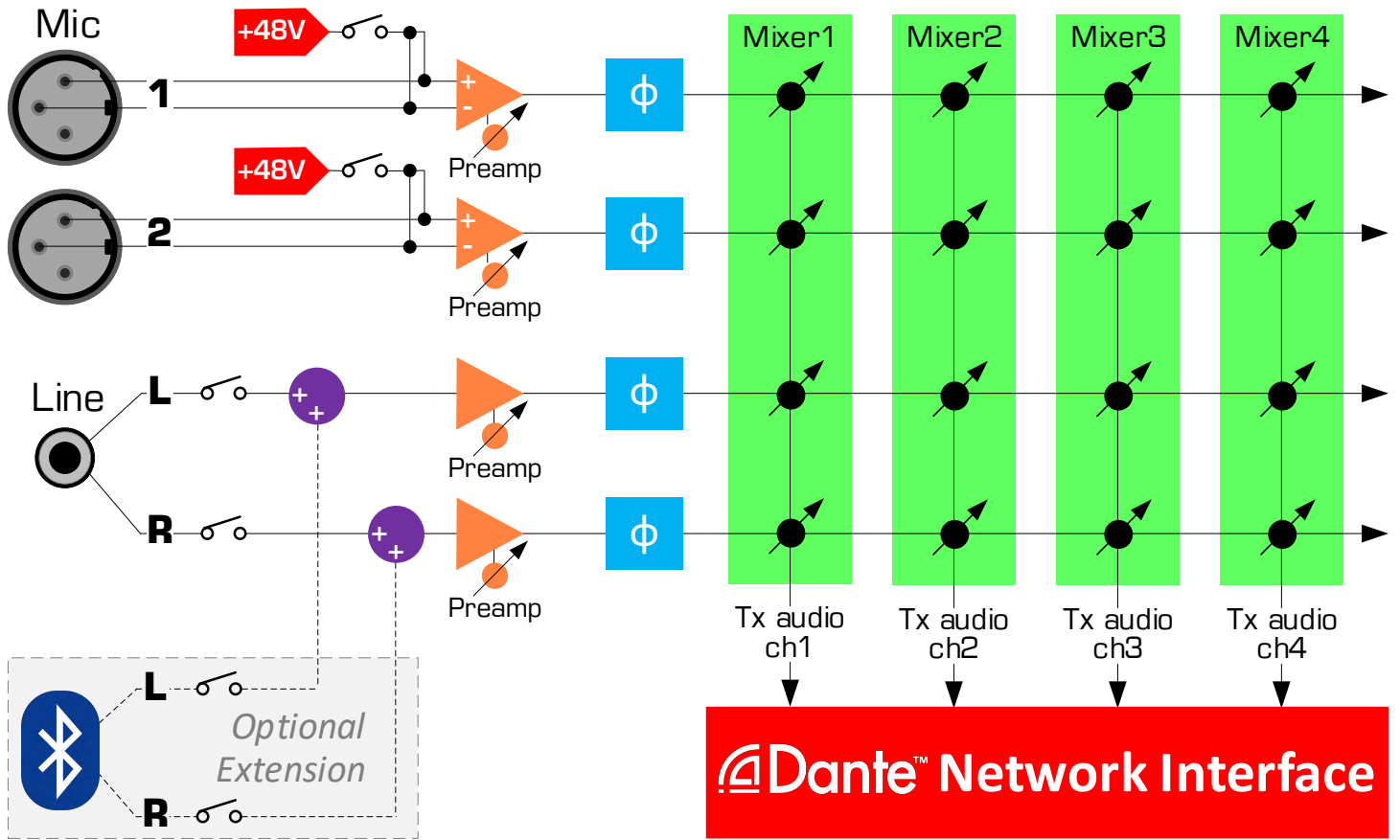
The AV-WALL-BT-EXT is an add on feature that allows the DT4i collection to be operated by Bluetooth control. With a dedicated software and control page (AVS Monitor) monitoring, controlling and setting parameters is easily accessible and has different levels of functionality (standard and advanced)

## KEY FEATURES

- 4x Dante channel transmitters on AV-WALL-DT4i
- 4x Internal input mixers (1, 2, L, R)
- Remote or local controlling
- Compact size - Fits into a single-gang junction box (45x45mm)
- RJ45 connector for power and control
- +48 V phantom power for Mic / Line inputs
- PoE powered (802.3af compliant)
- 2x female XLR Microphone / Line inputs and 2x 3.5mm minijack



# AV-WALL-DT4i



## Technical Data

<b>DIMENSIONS:</b>	45 x 45 x 50 mm (excluding frame)
<b>POWER SUPPLY:</b>	PoE 802.3af, RJ45
<b>CONNECTORS:</b>	2 x XLR for Mic/Line 1 x 3.5mm Stereo-Minijack Line in 10 - Pin Bluetooth plug
<b>SAMPLING, A/D:</b>	44.1 / 48 / 88.2 / 96 kHz, 24 Bit
<b>INPUT LEVEL:</b>	+24 dB (XLR), +12dB (Minijack)
<b>PHANTOM POWER:</b>	48V per channel
<b>LOCAL CONTROL:</b>	Rotary push button on AV-WALL-DT4oB
<b>REMOTE CONTROL:</b>	AV-WALL-DT4i can be remotely controlled via AVS-Monitor

## OPTIONS AVAILABLE

- AV-WALL range is available in BLACK
- Customization / OEM possible
- Bluetooth extension available
- Interchangeable wall plate sizes on request



# AV-WALL-DT4o

Wall mounted Dante to analogue XLR outputs interface with stereo Bluetooth or minijack output

AV-WALL-DT4o-B



AV-WALL-DT4o-LE



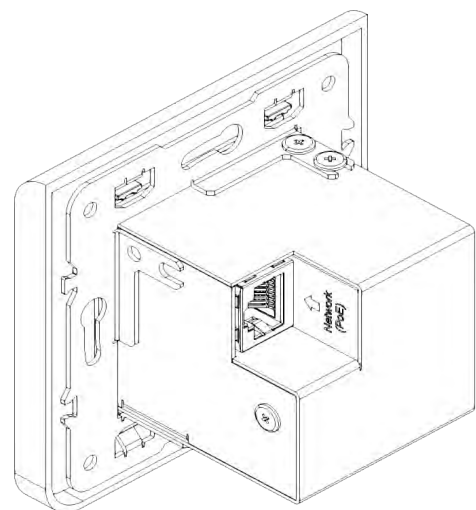
The AV-WALL-DT4o-B is a single-gang wall mounted Dante and Bluetooth output audio interface. The compact design provides a flexible and easy to use installation solution. It is PoE enabled so you only require one Cat5e/6 cable to connect the power, control and transmission.

The AV-WALL-DT4o-B has a very simple pairing process accessed through a rotation push button that allows the user to select and view paired devices on a OLED screen. Gain can then be controlled locally or via the AVS Monitor and Dante Controller software. Direct selection of Dante sources, no external software required to create a patch.

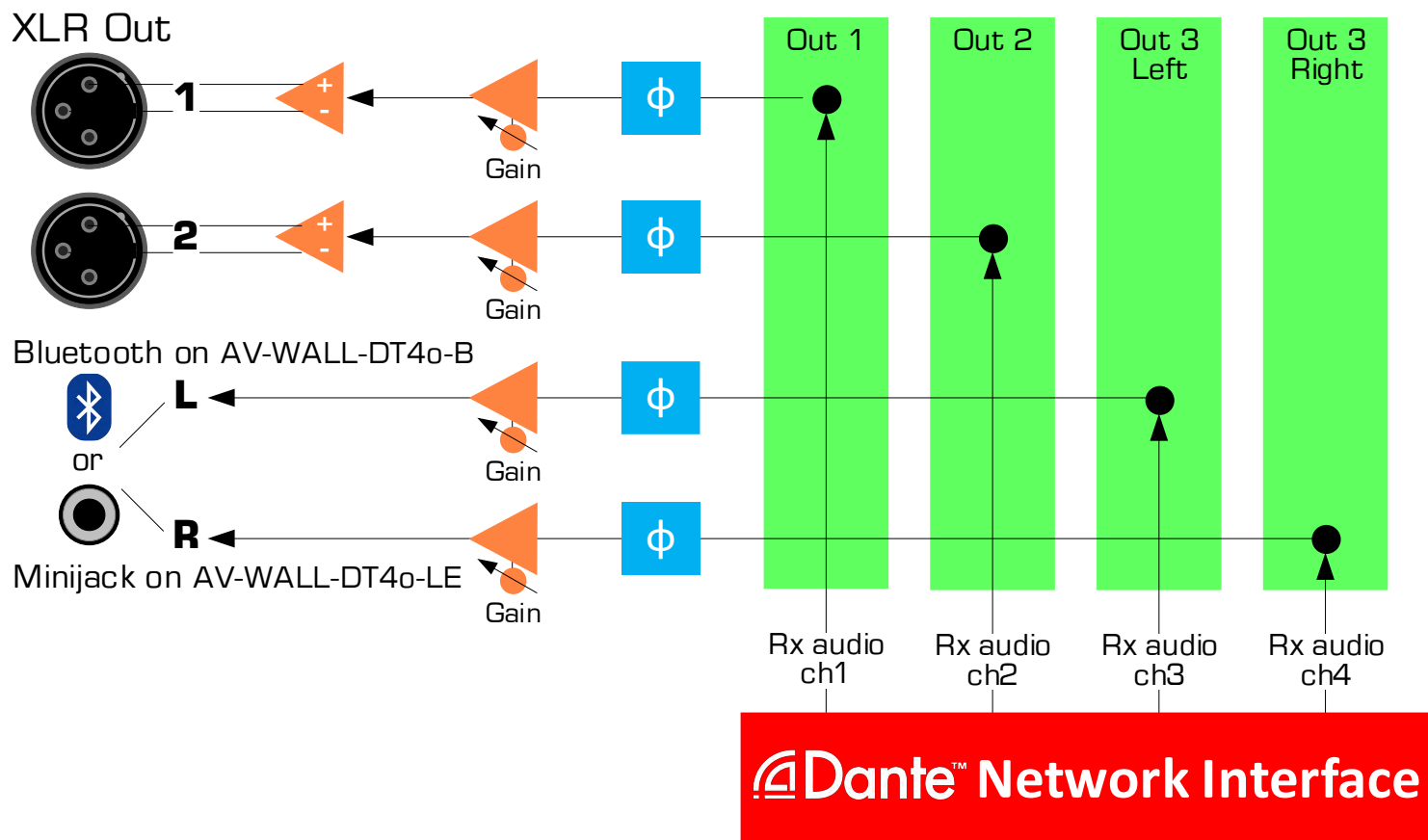
The AV-WALL-DT4o-LE has a stereo minijack output to replace the Bluetooth output without OLED screen or rotation button. With a dedicated software and control page (AVS Monitor) monitoring, controlling and setting parameters is easily accessible and has different levels of functionality (standard and advanced)

## KEY FEATURES

- Simple Bluetooth device pairing
- Remote or local controlling options
- Compatible with most known portable Apple and Android devices
- Fits into a single-gang junction box (Measures only 45x45mm)
- RJ45 connector for power and control
- 2 male XLR analog line out connectors
- OLED screen for direct Dante source selection
- Easy selection of pre-set Bluetooth channels
- Volume control in 1dB steps



# AV-WALL-DT4o

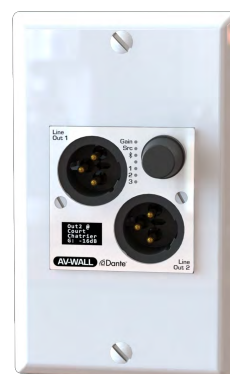


## Technical Data

<b>DIMENSIONS:</b>	45 x 45 x 50 mm (excluding frame)
<b>POWER SUPPLY:</b>	PoE 802.3af, RJ45
<b>CONNECTORS:</b>	2 x XLR Line output 1 x 3.5mm Stereo-Minijack Line out on AV-WALL-DT4o-LE
<b>SAMPLING, A/D:</b>	44.1 / 48 / 88.2 / 96 kHz, 24 Bit
<b>DYNAMIC RANGE:</b>	>106 dB
<b>OUTPUT LEVEL:</b>	+12 dB (XLR)
<b>DISPLAY:</b>	OLED screen on AV-WALL-DT4oB
<b>LOCAL CONTROL:</b>	Rotary push button on AV-WALL-DT4oB
<b>REMOTE CONTROL:</b>	AV-WALL-DT4i can be remotely controlled via AVS-Monitor

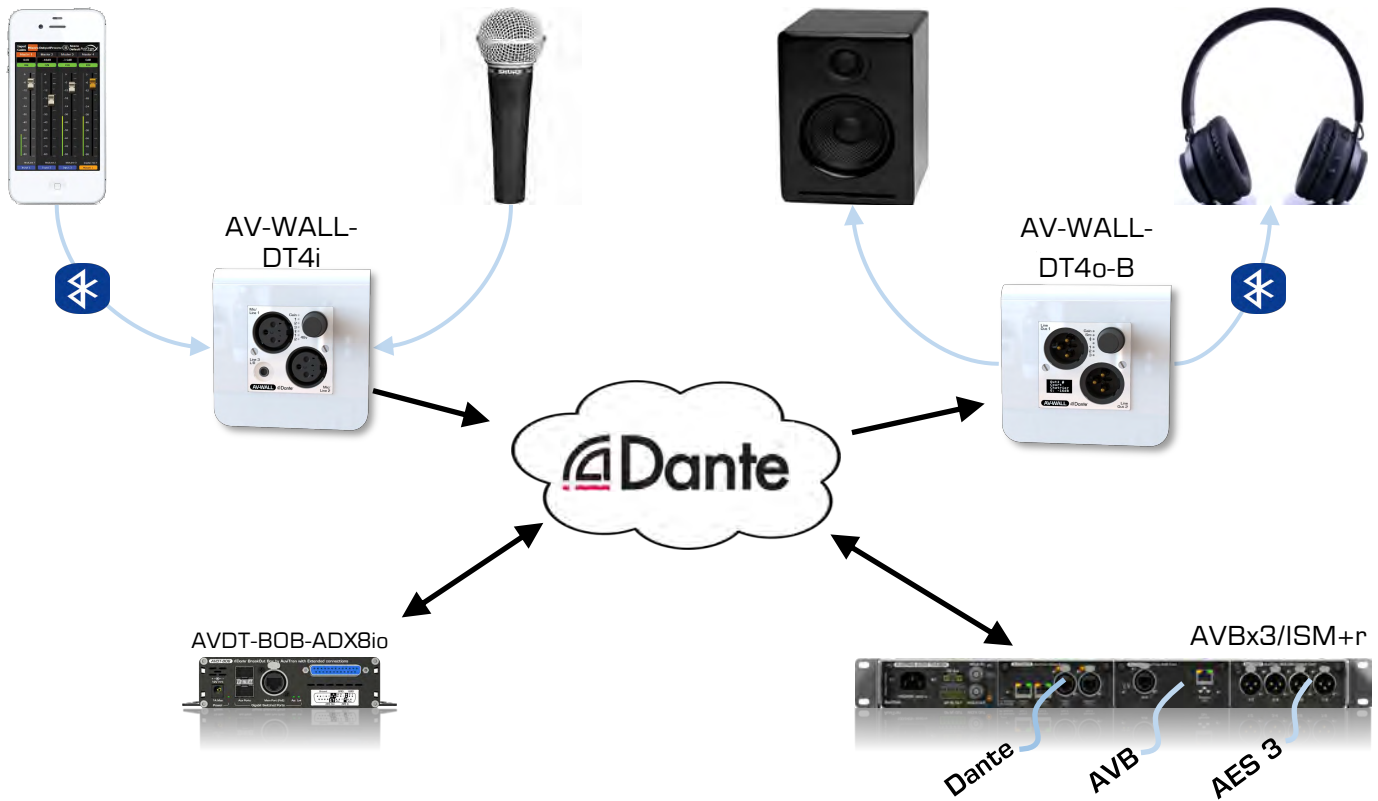
## OPTIONS AVAILABLE

AV-WALL range is available in BLACK  
Customization / OEM possible  
Interchangeable wall plate sizes on request



# DANTE Connectivity

Example of a Dante Network using Auvitrán products



## Reference / Part Numbers

- |                        |  |
|------------------------|--|
| <b>AV-WALL-DT4i</b>    | Dante super compact Mic/Line interface on PoE for wall mount with 2x XLR mic inputs, 3.5mm mini Jack stereo input and a rotative push button for local control |
| <b>AV-WALL-DT4i-LE</b> | Dante super compact Mic/Line interface on PoE for wall mount with 2x XLR mic inputs, 3.5mm mini Jack stereo input  |
| <b>AV-WALL-DT4o-B</b>  | Dante super compact interface on PoE for wall mount to 2x XLR line out and stereo Bluetooth output with a rotative push button plus OLED screen display        |
| <b>AV-WALL-DT4o-LE</b> | Dante super compact interface on PoE for wall mount to 2x XLR line out and stereo Bluetooth output   |
| <b>AV-WALL-BT-EXT</b>  | Optional Bluetooth extension for DT4i only   |

## Contact Details

Orders, Quotations, prices:  
[sales@auvitran.com](mailto:sales@auvitran.com) +33 4 76 04 80 59

General Information:  
[info@auvitran.com](mailto:info@auvitran.com) +33 4 76 04 70 69

Technical support:  
[support@auvitran.com](mailto:support@auvitran.com)

