

Integration actors

Audiovisual design: Labeyrie & associés (www.labeyrie.net)

Integrator: IEC Paris

Context

Situated in the heart of Paris, La Gaité Lyrique began in 1862 as a theater.

Inaugurated in March 2011 in its new format, La Gaité Lyrique is now a creation and resources center dedicated to digital medias and arts, and to modern music creations. The complete refurbishment of this historical venue started in 2003, and embraced a double target: keep the historical and patrimonial spirit of the building, but also bring modernity thanks to a full modular vision, serving the artists. This state of mind is well respected in the sound system architecture.



Historical Foyer © Matt Pyke

Completely reinvented, la Gaité Lyrique now offers various creation rooms, concert halls and resources centers. La Gaité Lyrique has worked with the audiovisual designer Labeyrie to imagine a unique creation tool based on a digital audio network: resulting from this creative design, all loudspeakers at every level of the building, including halls, are interconnected but can also be addressed individually, thanks to EtherSound architecture. Artists can then design and imagine sound-based pieces of art that will be propagated everywhere throughout the building, such as submarine sound or tennis table ball for example.

AuviTran AVP4-ES100 digital EtherSound roof amplifiers (4x10W) have been widely used to provide these unique features.



Gaité Lyrique 2.0 by Architect Manuelle Gautrand

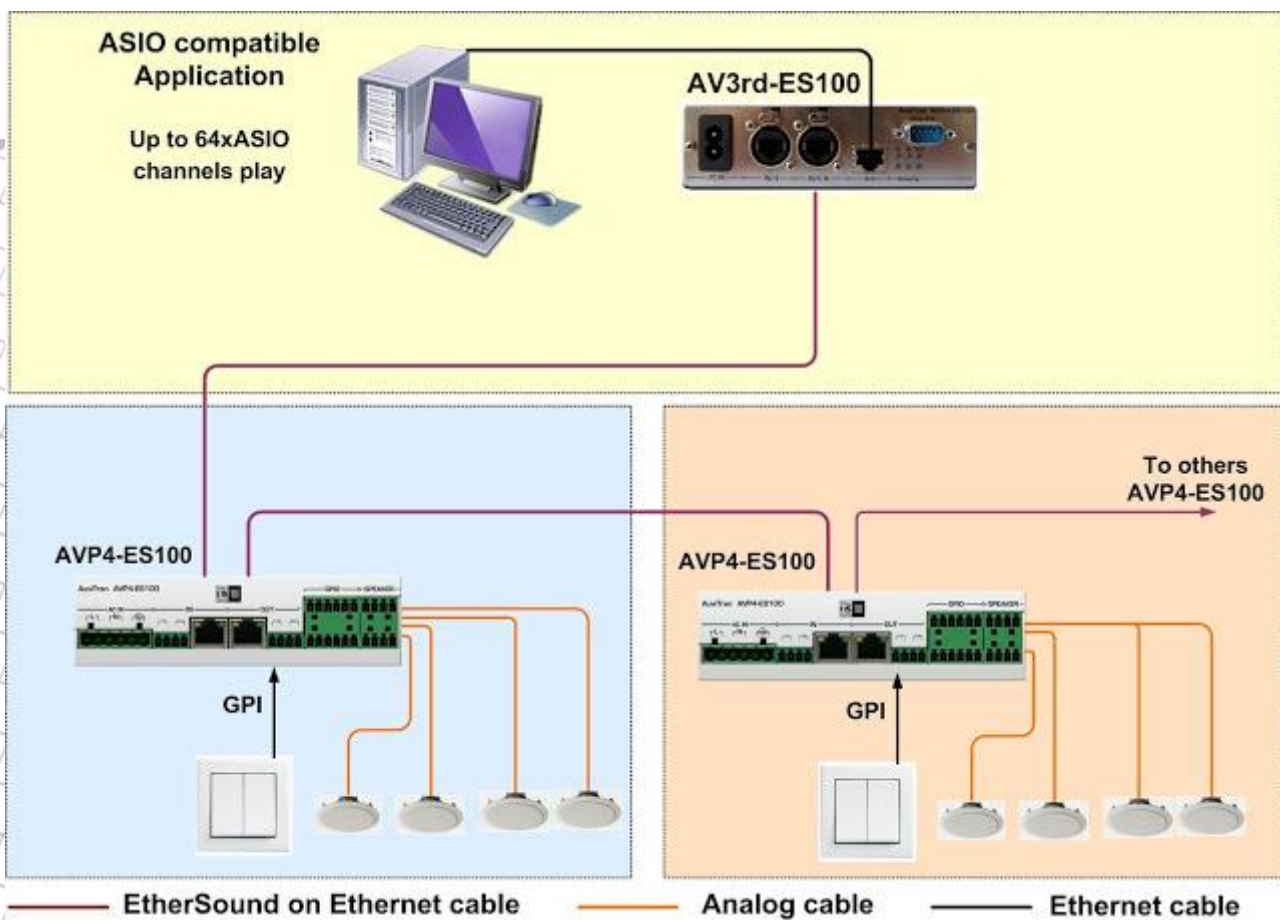
Products involved

For the sound transmission of all halls of the creation center

- 93 x AuviTran AVP4-ES100 EtherSound connected amplifiers (4x10W), connected to 360 x roof loudspeakers
- In addition, Amadeus active loudspeakers and subwoofers are directly connected to the EtherSound (20 x Sub ML12-ES and 4 x PM5-ES)
- 2 x AV3rd-ES100 for multidiffusion to EtherSound from PC (with Ableton Live software)
- 1 x Innovason Eclipse console for routing matrix

And more ...

Some extra Innovason consoles and Amadeus loudspeakers are used in the main concert hall.



Scheme of the AuviTran AVP4-ES100 EtherSound amplifier for roof loudspeakers